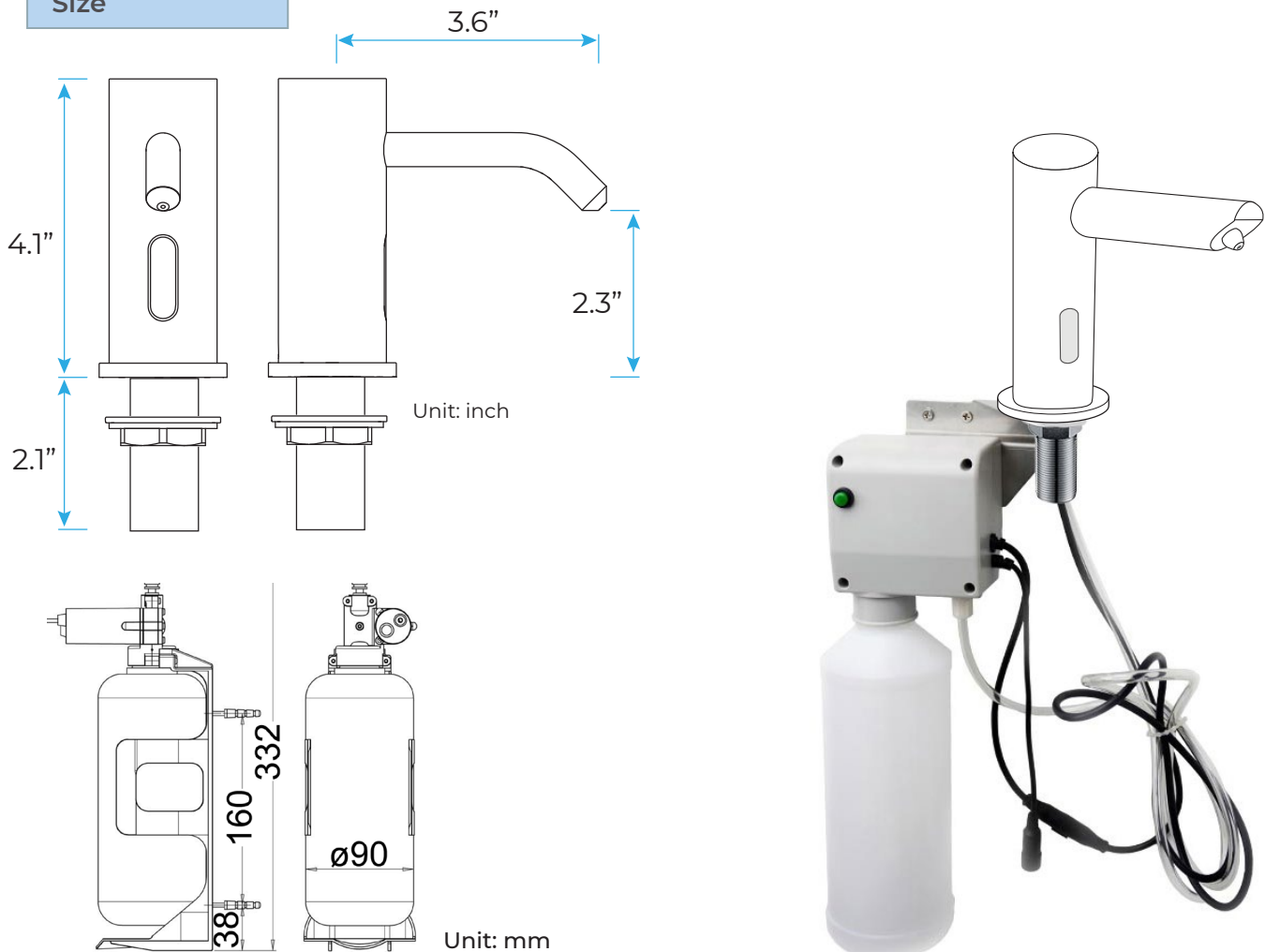


## COMMERCIAL AUTOMATIC SENSOR TOUCHLESS SOAP DISPENSER SPECIFICATIONS



Specification	
Product Type:	Commercial
Main Construction Material:	Brass
Mount Type:	Deck
Handle Type:	Infra-Red
Power Rating:	3 Amp Fuse, AC: 230V DC: 1.5V
Batteries Required:	4 AA Batteries (not supplied)
Number of Tap Holes:	1
Valve/Cartridge Type:	Solenoid Valve
Plumbing System Requirements:	Suitable for all plumbing systems
Sensing Range:	2.4-3.9 in (6-10 cm)
Soap Bottle Volume	1000 ml (34 fl.oz.)
Viscosity of Liquid Soap:	100-3500cp (mpA .s)
Soap Type	Standard Liquid Soap

### Size



All dimensions and specifications are nominal and may vary. Use actual products for accuracy in critical situations.